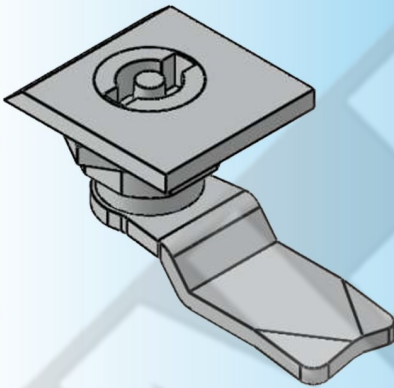


For Product Step File or 3D Model Send a Request Mail To info@nrack.com

Photo View

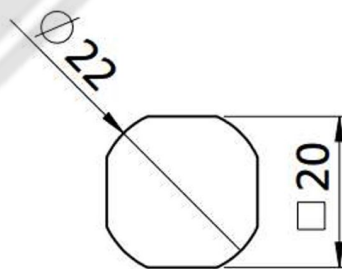
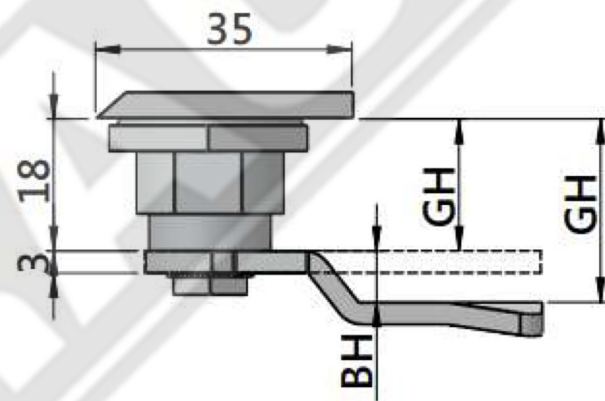
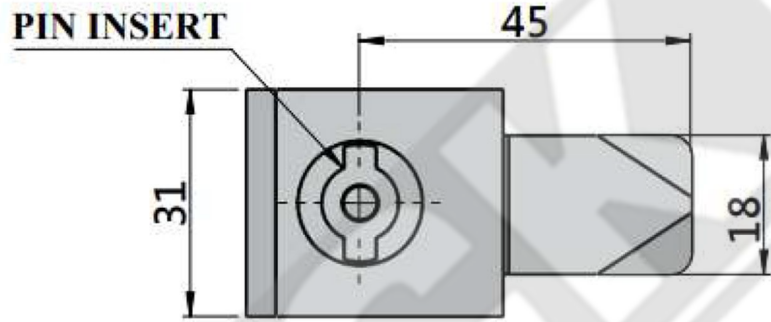


3D Rendered View



PL - 09

- Material: Zinc Die Casting - Body,
- Finish: Chrome Plating



GRIPPING HEIGHT (GH)	BENDING HEIGHT (BH)
18	00
20	02
25	07
30	12